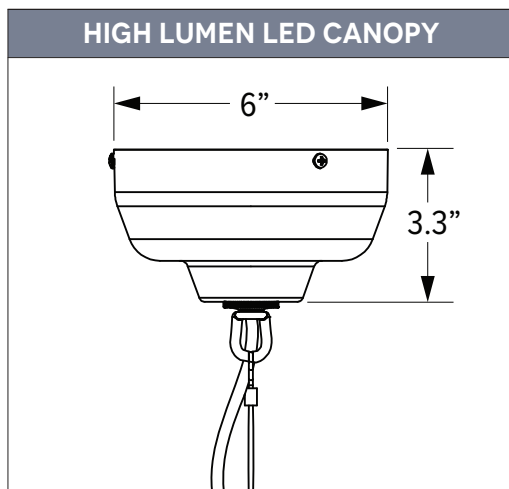
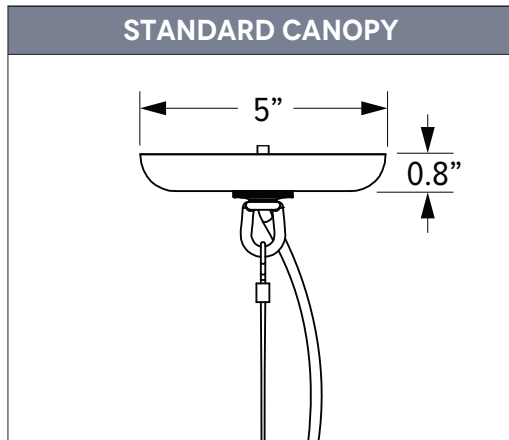


To create a laid-back industrial style, studio lights suspend their shades from 3/32" galvanized steel aircraft cable. The fixture's cord is draped around this cable, establishing a relaxed aesthetic. A diverse selection of cord options, ranging from colorful and playful to more subdued, contribute additional touches of personality and character to the fixture's design. All cords are rated for "damp" areas — meaning they can be exposed to moisture in the air but cannot come in direct contact with water. All studio lights include 7' of standard cord or 5' of cotton cord, +/- for socket orientation.



CSA LISTED CORD OPTIONS

Damp or Dry Locations



SBK Standard Black Cord



CSB Black Cloth Cord



CSR Red Cloth Cord



CSBW Black & White Cloth Cord



CSGW Gold & White Cloth Cord



CSBG Black & Gold Cloth Cord



CSUW Blue & White Cloth Cord



SWH Standard White Cord



CSW White Cloth Cord



CMG Grey Cotton Cord



CSRW Red & White Cloth Cord



CSBP Black & Pink Cloth Cord



CSBB Black & Brown Chevron Cloth Cord